

APPLICATION

Voltage and/or current measurement sensors on medium voltage connectors attached to equipment (transformers, switchgear, motors,...). Sensor can be interfaced with any IEC 61869-10 and IEC 61869-11 compliant Intelligent Electronic Device (IED) for protection and monitoring or other compatible application.

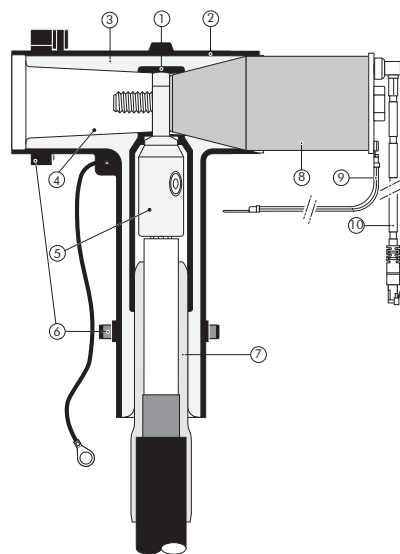
DESIGN

Separable connector comprising:

1. Conductive EPDM insert.
2. Conductive EPDM jacket.
3. Insulating EPDM layer
4. Type C interface as described by CENELEC EN 50180 and 50181.
5. Conductor contact.
6. ABB KECA current sensor.
7. Cable reducer.
8. ABB KEVA voltage sensor.
9. Earthing lead.
10. Sensor secondary cable.

TECHNICAL CHARACTERISTICS

- High combined accuracy class of 0.5/3P for voltage measurement and 0.5/5P630 for current measurement.
- Fully certified mechanical and electrical assembly supported by joint qualification according to HD629.1.



6/10 (12) kV
 6.35/11 (12) kV
 8.7/15 (17.5) kV
 12/20 (24) kV
 12.7/22 (24) kV
 18/30 (36) kV
 19/33 (36) kV
 20.8/36 (42) kV

Up to 42 kV - 630 A

EUROMOLD®

SPECIFICATIONS AND STANDARDS

The 480TB separable connector meets the requirements of CENELEC HD 629.1.S2.

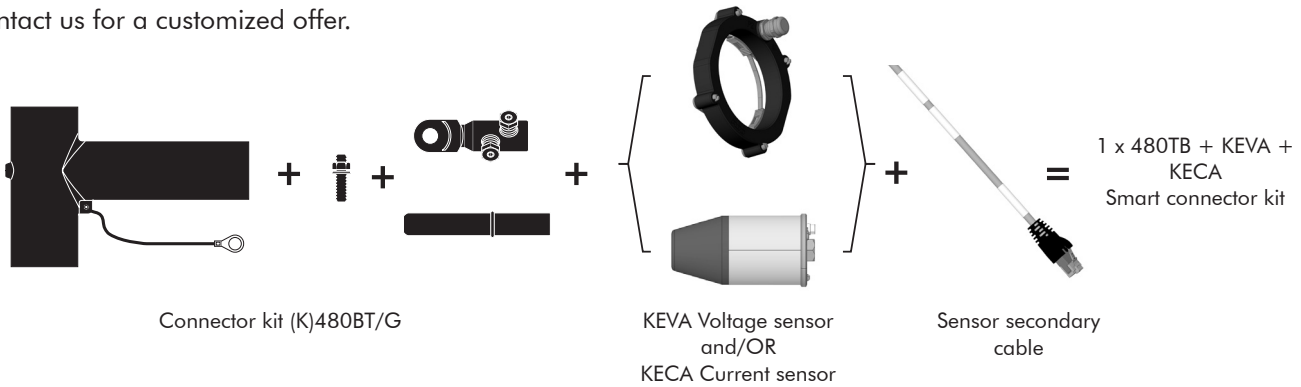
The KEVA and KECA sensors meet the requirements of IEC61869-10 and -11.

Connector model	Voltage measurement			Current measurement		
	Model	Voltage Um (kV)	Type	Model	Max application current (A)	Type
(K)(M)(P)480TB/G	KEVA 24 C2 4.1	Up to 24	Resistive divider	KECA 80 C85	4000	Closed core Rogowski
(K)(M)(P)484TB/G	KEVA 24 C2 4.1c		with conductive surface			
(K)(M)(P)489TB/G	KEVA 36 C2 4.1	Up to 36	Resistive divider	KECA 80 D85	4000	Split core Rogowski
(K)(M)(P)800PB/G	KEVA 36 C2 4.1c		with conductive surface			
(K)(M)(P)804PB/G	KEVA 40.5 C2 4.1	Up to 42	Resistive divider	KECA 80 D85	4000	Split core Rogowski
(K)(M)(P)809PB/G 800SA	KEVA 40.5 C2 4.1c		with conductive surface			

KIT CONTENTS

Kit configuration may change for different applications, please contact us for a customized offer.

The kit also comprises lubricant, wipers, installation instructions and crimp chart.



ORDERING INSTRUCTIONS

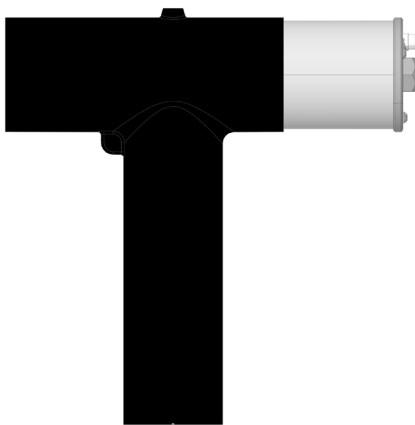
To order the right connector or sensor for your application, refer to the specific catalog pages.

SENSOR ASSEMBLY

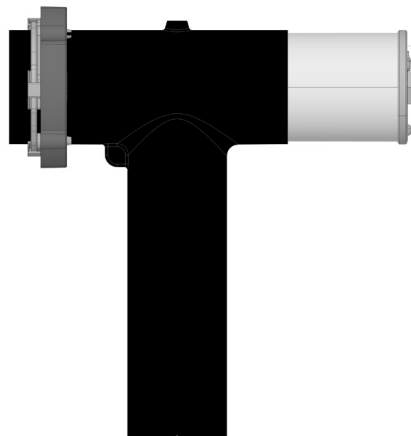
Current sensor KECA 80 C85 shall be installed on shielded head of cable connector using clamping system. Current sensor KECA 80 D85 shall be installed on shielded cable using a clamping system which allows assembly on different diameters of MV cable. Voltage sensors KEVA C are assembled as would an insulating plug in cable connectors.

Characteristic	Voltage sensor	Current sensor	
		Split core	Closed core
Model	KEVA 24/36/42 Cxx	KECA 80 D85	KECA 80 C85
Rated primary voltage/current	up to 40.5/√3 kV	80A	
Rated frequency	50/60Hz		
Accuracy class	0,5/3P	0,5P/5P630	
Rated burden	2M Ω / 50 pF		
Rated transformation ratio	1:10000 V/V	80A/150mV @50Hz 80A/180mV @60Hz	
Inner diameter	-	85 mm	
Secondary cable length	5 m		
Plug type	RJ 45		

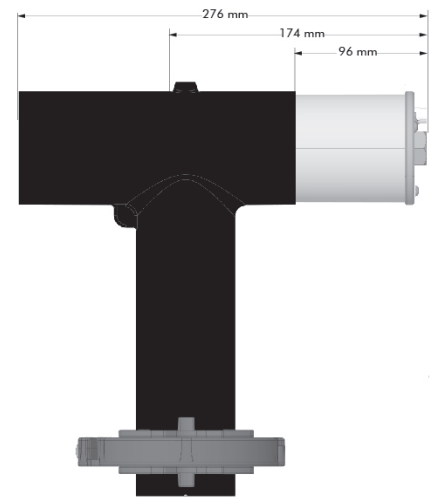
LAYOUT



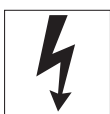
480TB+KEVA 24 C2 4.1c



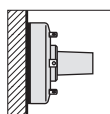
480TB+KEVA 24 C2 4.1c+KECA 80 C85



480TB+KEVA 24 C2 4.1c+KECA 80 D85



Rated voltage
12/20 (24) kV



Interface C
(630A)



For other cables length and custom applications. Please contact our representative.



Components can be ordered individually.