

24CSJ-S SINGLE CORE STRAIGHT JOINT WITH CONNECTOR

Up to 24 kV

Application

For jointing copper wire screened polymeric cable to be laid in air or directly buried. The product is fully screened and fully submersible.

This product can be installed where installation space is limited (minimum 1 meter).

Technical characteristics

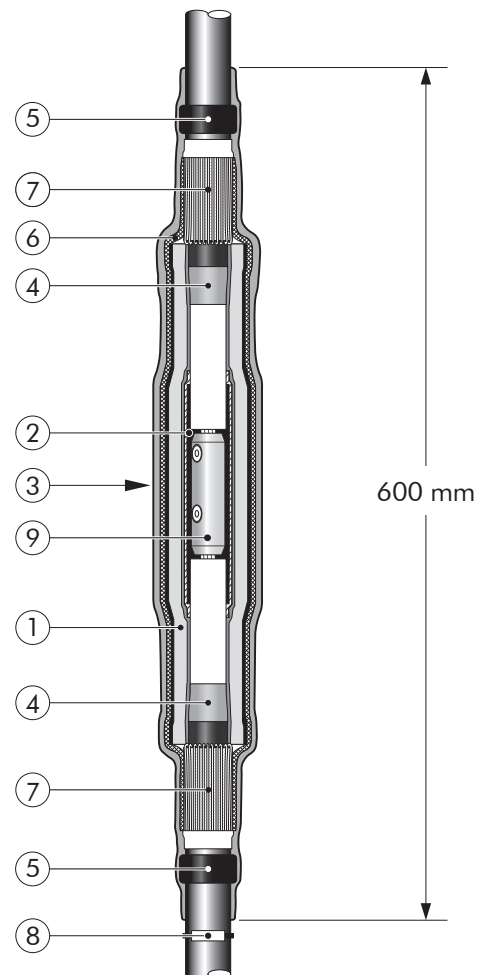
All joint bodies are tested for AC withstand prior to leaving the factory.

12/20 (24) kV
12.7/22 (24) kV

Design

Cold-shrinkable joint comprising:

1. Extruded triple layer EPDM rubber body.
2. Two layer plate with a semi-conductive and a field control mastic layer.
3. Overall protective EPDM cover.
4. Field control mastic.
5. Water sealing mastic.
6. Copper stocking.
7. Self-adhesive copper tape.
8. Traceability tag.
9. Mechanical conductor connector.



Specifications and standards

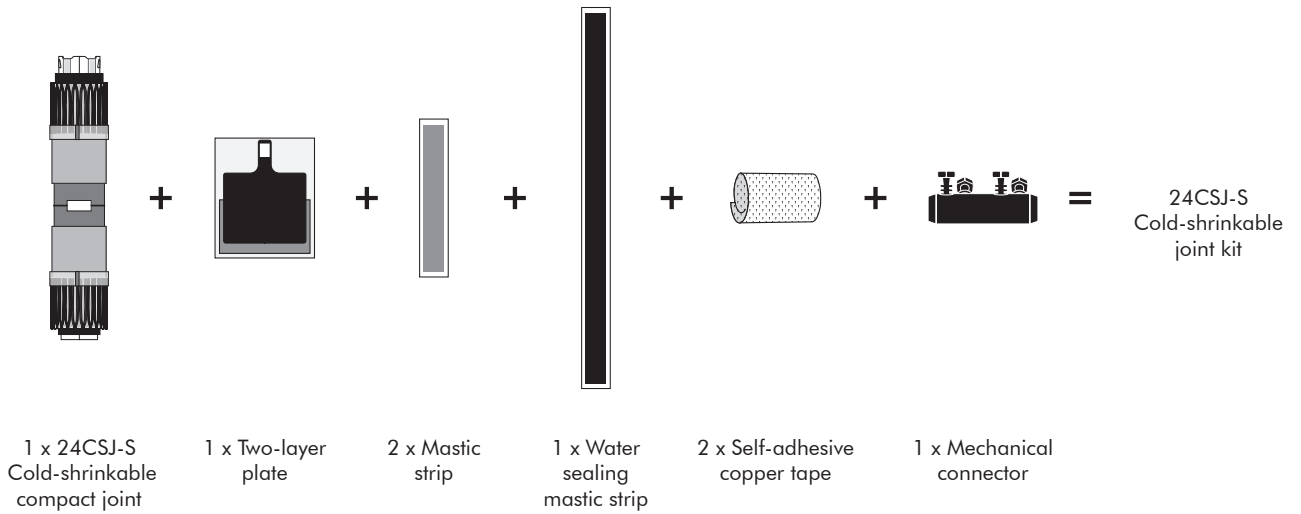
The cold-shrinkable 24CSJ-S joint meets the requirements of CENELEC HD 629.1.

Cold-shrinkable straight joint type	Voltage U_m (kV)	Diameter over outer sheath (mm)		Diameter over core insulation (mm)		Conductor sizes (mm ²)	
		max	min	min	max	min	max
24CSJ-S/M35.95	24	48	18	35	95		
24CSJ-S/M50.240	24	48	18	50	240		
24CSJ-S/M95.240	24	48	23	95	240		

Kit contents

A typical complete cold-shrinkable joint kit 24 CSJ-S comprises the following components:

The kit also comprises an installation hook, adhesive tape, lubricant, wipers, gloves, template, white pencil and installation instructions.



Ordering instructions

Select the part number corresponding to the cable core insulation diameter.

Ordering part number	Conductor sizes (mm ²) (24kV)									Diameter over core insulation (mm)	Diameter over outer sheath (mm)	Conductor connector included
	35	50	70	95	120	150	185	240	300			
24CSJ-S/M35.95	24CSJ-S/M35.95									18 min	48 max	Yes
24CSJ-S/M50.240	24CSJ-S/M50.240									18 min	48 max	Yes
24CSJ-S/M95.240	24CSJ-S/M95.240									23 min	48 max	Yes

Example:

The copper wire screened cable is 24 kV, 120 mm² stranded aluminium with a diameter over core insulation of 25.3 mm. Order a 24CSJ-S/M95.240-45 cold-shrinkable joint kit.

For use with copper wire screened cables. No earthing device is necessary. Order: -45.	For use with copper tape screened cables. Order: -26.	For use with fabric tape (graphite) screened cables. Order additional semi-conductive tape (type TSC).	For use with Alupe or C 33-226 cables. Order: -07	For use with other cable types. Please contact our representative.	This product can be installed where the installation space is limited.