

250SFR-P INTERFACE A1 EQUIPMENT BUSHING

Up to 24 kV - 250 A

Application

For use in equipment insulated with SF₆ gas.

Technical characteristics

Each bushing is tested for AC withstand and partial discharge prior to leaving the factory.

6/10 (12) kV
6.35/11 (12) kV
8.7/15 (17.5) kV
12/20 (24) kV
12.7/22 (24) kV

Design

The equipment bushing is a moulded epoxy insulated part with a connector interface in accordance with CENELEC EN 50181.

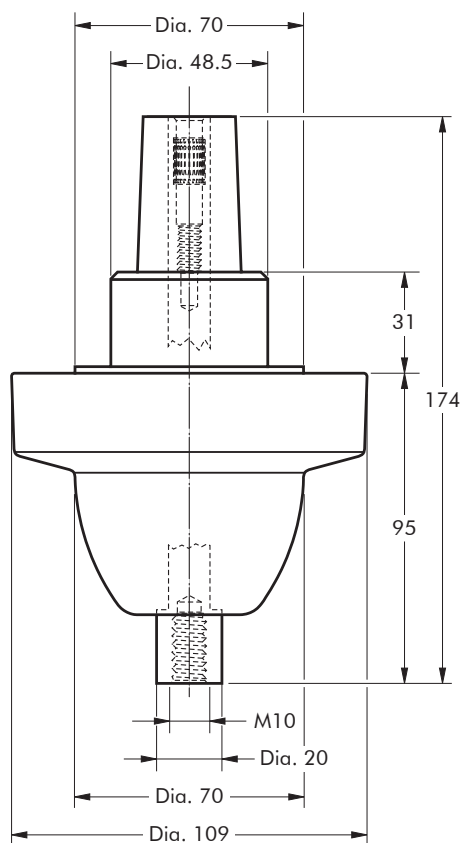
The 250SFR-P bushing has a shank outside this standard, adapted to use in SF₆ gas.

Specifications and standards

The plug-in type equipment bushings 250SFR-P meet the requirements of CENELEC EN 50180 and IEC 60137.

Ordering instructions

To order the equipment bushing, simply specify the type.



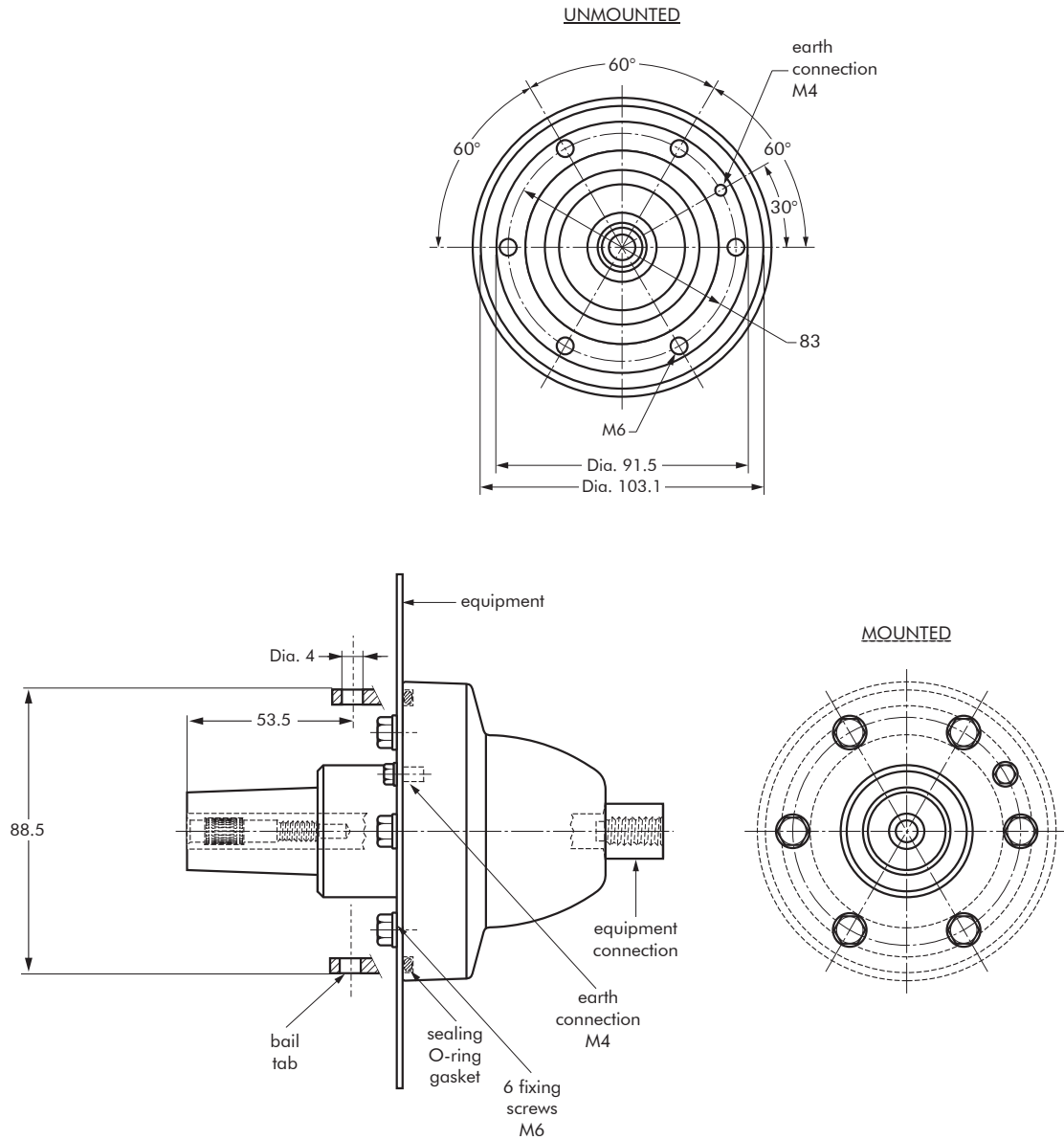
In mm.

Equipment bushing type	Voltage Um (kV)	Current Ir (A)
250SFR-P	12	250
K250SFR-P	24	250

05/2015

FIXINGS FOR EQUIPMENT BUSHINGS

250SFR-P Bushing for gas insulated switchgear



In mm.