

APPLICATION

Separable coupling connector (bolted type) for dual cable arrangement. It has been designed to be used with 400TB and 440TB separable tee connector.

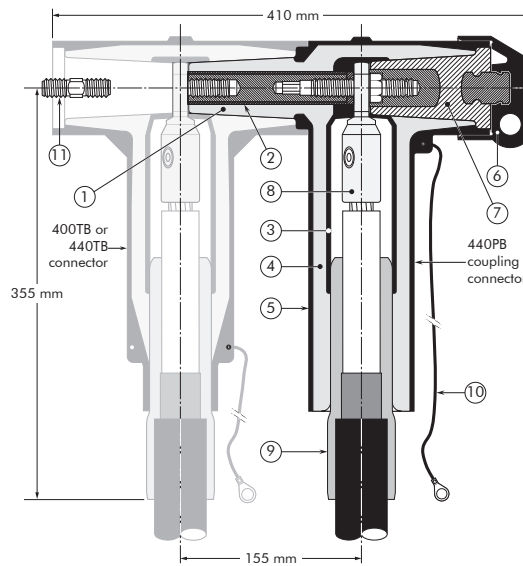
TECHNICAL CHARACTERISTICS

- A thick conductive EPDM jacket provides a total safe to touch screen.
- Each separable connector is tested for AC withstand and partial discharge prior to leaving the factory.



DESIGN

1. Interface designed to fit 400TB/440TB connector.
2. Bus for 440PB.
3. Conductive EPDM insert.
4. Insulating EPDM layer moulded between the insert and the jacket.
5. Conductive EPDM jacket.
6. Conductive EPDM cap.
7. Basic insulating plug.
8. Conductor connector (hexagonal crimping, deep indent crimping or bolted).
9. Cable reducer.
10. Earthing lead.
11. Threaded M16 stud for the equipment bushing.



6/10 (12) kV
 6.35/11 (12) kV
 8.7/15 (17.5) kV
 12/20 (24) kV
 12.7/22 (24) kV
 18/30 (36) kV
 19/33 (36) kV
 20.8/36 (42) kV

Up to 42 kV
800 A

EUROMOLD®

The screen break design enables cable outer sheath testing without removing or dismantling the connector.

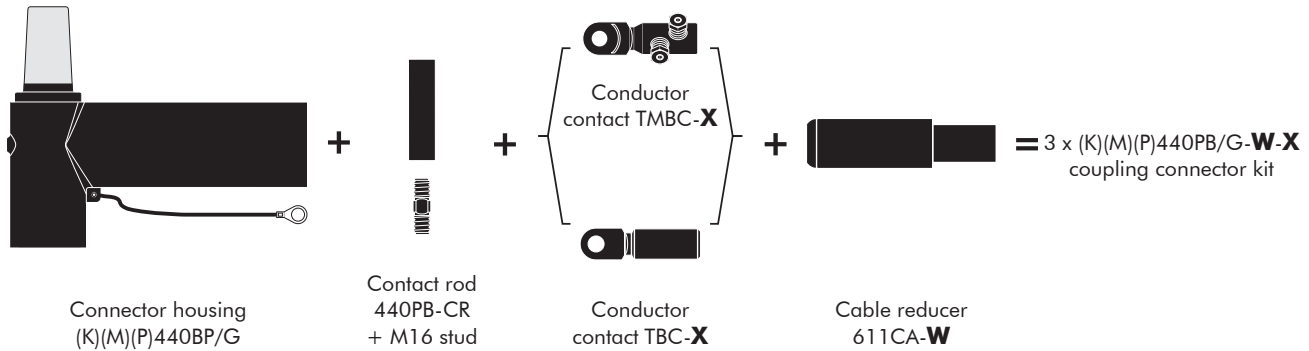
SPECIFICATIONS AND STANDARDS

The 440PB coupling connector meets the requirements of CENELEC HD 629.1.

Separable connector type	Voltage U_m (kV)	Current I_r (A)	Conductor sizes (mm ²)	
			min	max
440PB/G	12	800	185	630
K440PB/G	24	800	185	630
M440PB/G	36	800	185	630
P440PB/G	42	800	185	630

KIT CONTENTS

The complete (K)(M)(P)440PB/G coupling connector kit comprises 3 x the following components:



The kit also comprises silicone grease, field control mastic, installation rod, installation instructions and crimp chart.

ORDERING INSTRUCTIONS

To order the coupling connector, select the ordering part number which gives you the best centring of your core insulation diameter and substitute **X** using table X, according to your conductor size and type.

Add a 'K' for use up to 24 kV, add an 'M' for use up to 36 kV, add a 'P' for use up to 42 kV.

EXAMPLE:

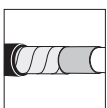
The copper wire screened cable is 36 kV, 240 mm² stranded aluminium with a diameter over core insulation of 37.0 mm. Order 3 x M440PB/G-32-240(K)M-12-2 coupling connector kit.

TABLE W

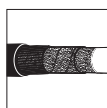
Ordering part number	Dia. over core insulation (mm)	
	min	max
3 x 440PB/G-22-X	23.5	31.0
3 x 440PB/G-27-X	28.5	37.5
3 x 440PB/G-32-X	34.0	42.5
3 x 440PB/G-37-X	39.0	48.5
3 x 440PB/G-43-X	45.5	56.0

TABLE X

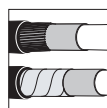
Conductor sizes (mm ²)	Aluminium conductor		Aluminium and copper conductor	Copper conductor
	DIN hexagonal	Deep indent	Bolted	DIN hexagonal
185	185(K)M-12-2	185KM-12-1	185.400-14-5	185(K)M-11-2
240	240(K)M-12-2	240KM-12-1		240(K)M-11-2
300	300(K)M-12-2	300KM-12-1		300(K)M-11-2
400	400(K)M-12-2	400KM-12-1	400.630-14-5	400(K)M-11-2
500	500(K)M-12-2	500KM-12-1		500(K)M-11-2
630	-	630KM-12-1		630(K)M-11-2



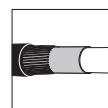
For use with copper tape screened cables. Order: Kit MT.



For use with fabric tape (graphite) screened cables. Order additional semi-conductive tape (type TSC).



For use with easy strip semi-conductive screened cables. Order: Field control mastic (type MFC).



For use with copper wire screened cables. No earthing device is necessary.



For use with other cable types. Please contact our representative.



For outdoor applications. Order: +MWS.