

EUROMOLD®

INTERFACE C
MEDIUM VOLTAGE SYMMETRICAL
SEPARABLE CONNECTORS

CATALOGUE 2021



COMPANY PRESENTATION



EUROMOLD

Euromold is the leading European specialised designer, manufacturer and distributor of prefabricated cable accessories for medium voltage energy distribution. Euromold provides a complete range of accessories for underground cables: premoulded EPDM rubber connectors for cables and epoxy bushings for transformers and switchgear, as well as a large range of cold-shrinkable terminations and joints from 12 to 42 kV.

Euromold is also the manufacturer of electrical components for the high voltage accessories of the Nexans group.

ISO 9001 Certificate

Since 1992, Euromold's commitment to quality is demonstrated by its ISO 9001 certification.

International standards

All our products meet the International standards like CENELEC HD 629.1, CENELEC EN 50180, IEC 60137, IEC 60502-4... or country specifications. Official certificates, CESI, KEMA, ATEX... prove the conformity of our products. Long duration tests of existing or new products are continuously performed in our test fields.

Laboratory accreditation

Since June 2000, Euromold's independent ELAB laboratory obtained the BELAC accreditation no.144-TEST conform with the European standards for laboratories ISO 17025 for electrical testing of low and medium voltage cable accessories according to the international standards EN 50393, IEC 60502-4, IEC 61442 and HD 629.



While every care is taken to ensure that the information contained in this publication is correct, no legal responsibility can be accepted for any inaccuracy. Nexans Network Solutions N.V. - Div. Euromold reserves the right to alter or modify the characteristics of its products described in this catalogue as standards and technology evolve.

SYMMETRICAL SEPARABLE CONNECTORS

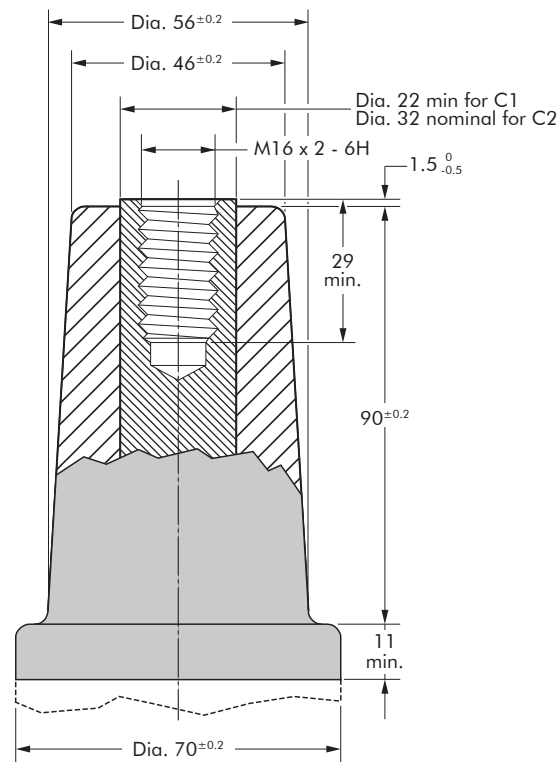
INTERFACE C

TABLE OF CONTENTS

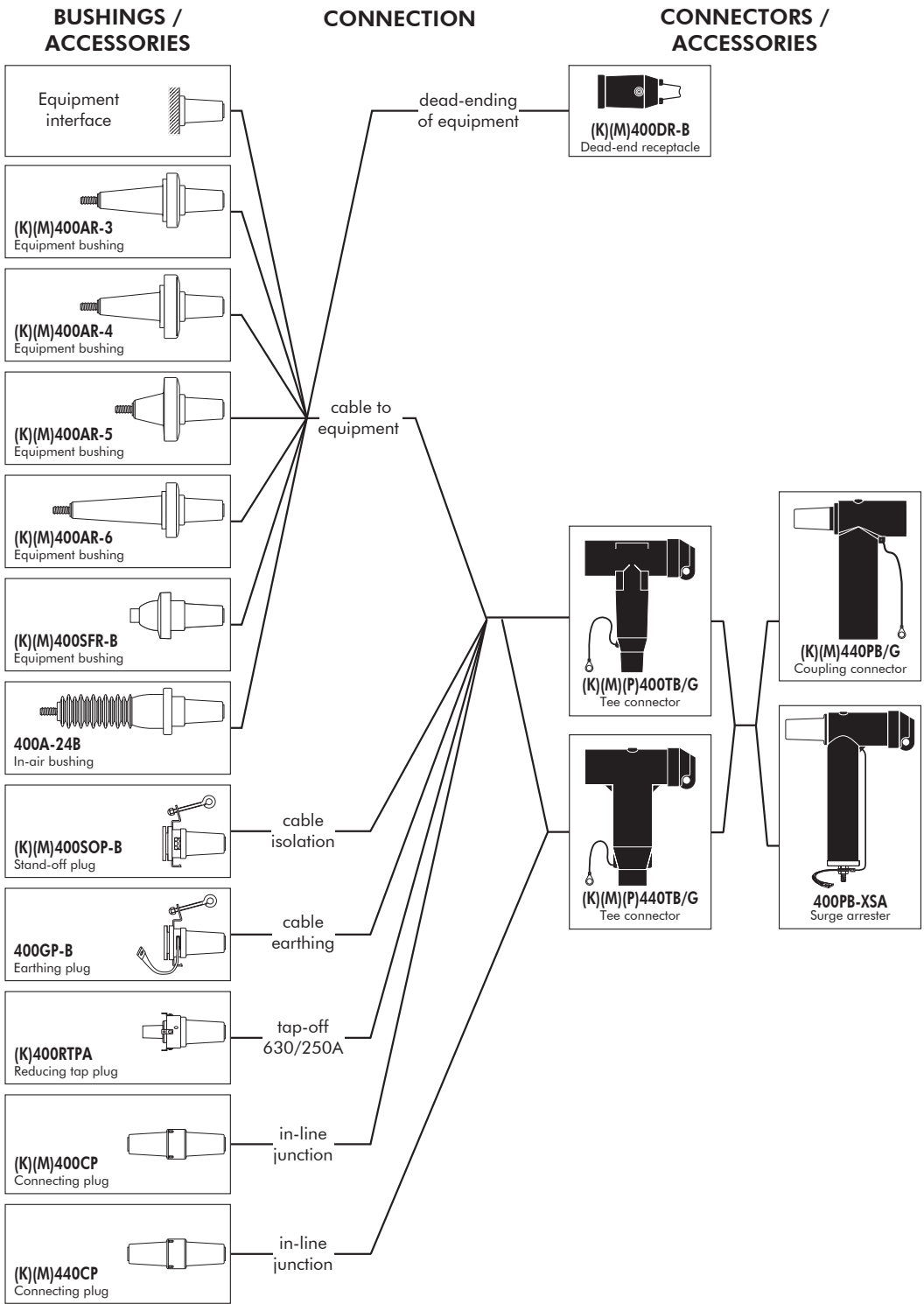
(K)(M)(P)400TB - tee connector
440TB - tee connector
440PB - coupling connector
400PB - XSA - surge arrester
400TR - test rod
400TK and 400SW installation tools
Accessories
Possible arrangements

INTERFACE C1 & C2

Dimensions according to European
CENELEC EN 50180 and 50181
(in mm).



CONNECTING POSSIBILITIES



For information on bushings please refer to our bushing catalogue.

(K)(M)(P)400TB

INTERFACE C TEE CONNECTOR

APPLICATION

Separable tee shape connector (bolted type) designed to connect polymeric insulated cable to equipment (transformers, switchgear, motors, ...). Also connects cable to cable when using the appropriate mating parts.

TECHNICAL CHARACTERISTICS

- The thick conductive EPDM jacket provides a total safe to touch screen which ensures safety for personnel.
- Each separable connector is tested for AC withstand and partial discharge prior to leaving the factory.

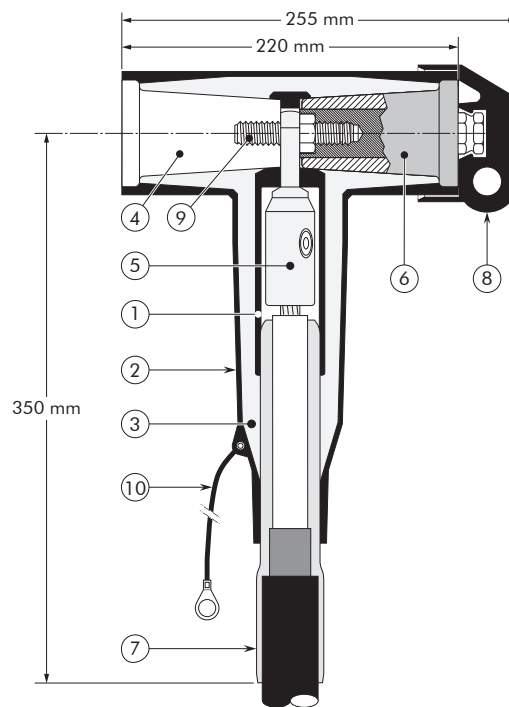


DESIGN

Separable connector comprising:

1. Conductive EPDM insert.
2. Conductive EPDM jacket.
3. Insulating EPDM layer.
4. Type C interface as described by CENELEC EN 50180 and 50181.
5. Conductor contact.
6. Basic insulating plug (with VD point).
7. Cable reducer.
8. Conductive rubber cap.
9. Clamping screw.
10. Earthing lead.

The screen break design enables cable outer sheath testing without removing or dismantling the connector.



6/10 (12) kV
6.35/11 (12) kV
8.7/15 (17.5) kV
12/20 (24) kV
12.7/22 (24) kV
18/30 (36) kV
19/33 (36) kV
20.8/36 (42) kV

Up to 42 kV
630 A - 800 A

EUROMOLD®

SPECIFICATIONS AND STANDARDS

The 400TB separable connector meets the requirements of CENELEC HD 629.1 S1.

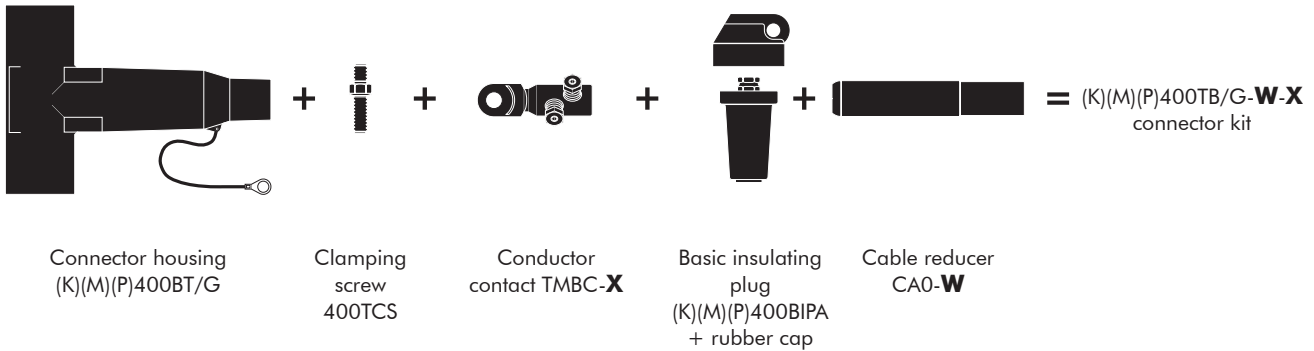
Separable connector type	Voltage U_m (kV)	Current I_r (A)	Current I_r (A) When using a copper (-11-2) or a bolted (-14-5) conductor contact	Conductor sizes (mm ²)	
				min	max
400TB/G	12	630	800	35	300
K400TB/G	24	630	800	35	300
M400TB/G	36	630	800	35	240
P400TB/G	42	630	800	35	240

08/2021

KIT CONTENTS

The complete (K)(M)(P)400TB/G tee connector kit comprises the following components:

The kit also comprises silicone grease, gloves, wipers, roll adhesive tape and installation instructions.



ORDERING INSTRUCTIONS

To order the tee connector, select the ordering part number which gives you the best centring of your core insulation diameter and substitute **X** using table X, according to your conductor size and type. Add a 'K' for use up to 24 kV, add an 'M' for use up to 36 kV, add a 'P' for use up to 42 kV.

EXAMPLE:

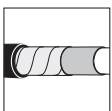
The copper wire screened cable is 12 kV, 150 mm² stranded copper with a diameter over core insulation of 23.5 mm. Order a 400TB/G-018-150(K)M-11-2 tee connector kit.

TABLE W

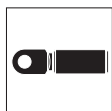
Ordering part number	Dia. over core insulation (mm)	
	min	max
400TB/G-011-X	12.0	19.0
400TB/G-015-X	16.0	26.5
400TB/G-018-X	19.0	32.6
400TB/G-021-X	22.0	34.6
400TB/G-027-X	28.5	37.5

TABLE X

Conductor sizes (mm ²)	Aluminium and copper conductor	
	Bolted	
16	16.95UN5	
25		
35		
50		
70		
95	95.300UN5	
120		
150		
185		
240		
300		



For use with copper tape screened cables. Order: Kit MT.



This product can also be installed using crimped conductor contacts. Please contact our representative.



For use with other cable types. Please contact our representative.



For applications outdoors and in humid climate. Order: +MWS.



For use in potentially explosive atmospheres (for 12 kV max). Order: ATEX-IECEx



Components can be ordered individually.



When installed on an appropriate equipment bushing: 800 A continuously

APPLICATION

Separable tee shape connector (bolted type) designed to connect polymeric insulated cable to equipment (transformers, switchgear, motors, ...). Also connects cable to cable when using the appropriate mating parts.

TECHNICAL CHARACTERISTICS

- The thick conductive EPDM jacket provides a total safe to touch screen which ensures safety for personnel.
- Each separable connector is tested for AC withstand and partial discharge prior to leaving the factory.

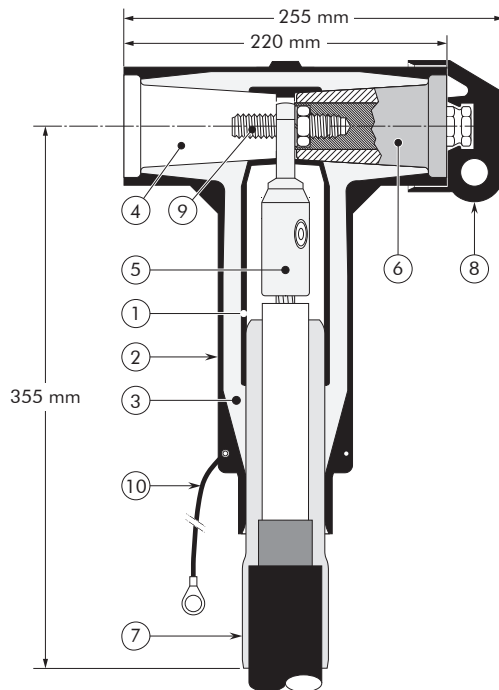


DESIGN

Separable connector comprising:

1. Conductive EPDM insert.
2. Conductive EPDM jacket.
3. Insulating EPDM layer moulded between the insert and the jacket.
4. Type C interface as described by CENELEC EN 50180 and 50181.
5. Conductor contact.
6. Basic insulating plug (with VD point).
7. Cable reducer.
8. Conductive rubber cap.
9. Clamping screw.
10. Earthing lead.

The screen break design enables cable outer sheath testing without removing or dismantling the connector.



6/10 (12) kV
6.35/11 (12) kV
8.7/15 (17.5) kV
12/20 (24) kV
12.7/22 (24) kV
18/30 (36) kV
19/33 (36) kV
20.8/36 (42) kV

Up to 42 kV
630 A - 1250 A

EUROMOLD®

SPECIFICATIONS AND STANDARDS

The 440TB separable connector meets the requirements of CENELEC HD 629.1.

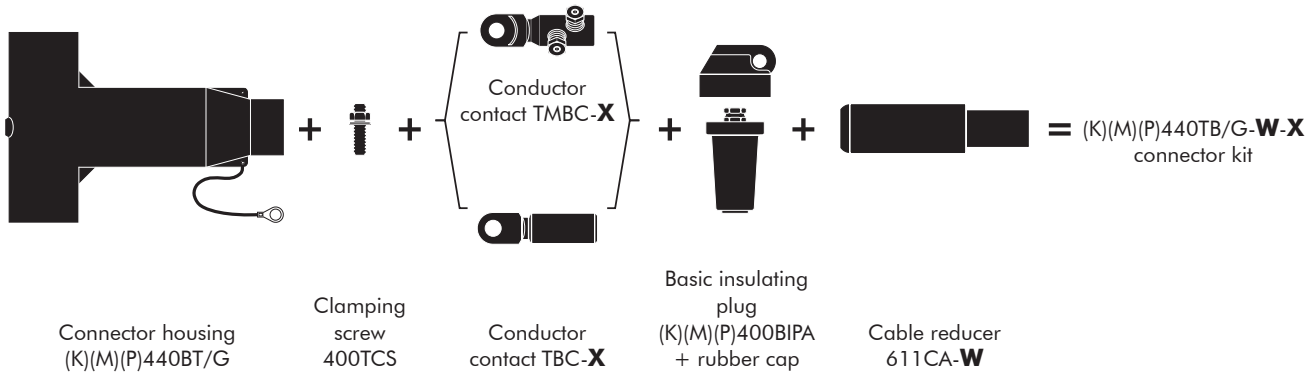
Separable connector type	Voltage U_m (kV)	Current I_r (A)	Current I_r (A)	Conductor sizes (mm ²)	
				min	max
440TB/G	12	630	1250	185	630
K440TB/G	24	630	1250	185	630
M440TB/G	36	630	1250	185	630
P440TB/G	42	630	1250	185	630

08/2021

KIT CONTENTS

The complete (K)(M)(P)440TB/G tee connector kit comprises the following components:

The kit also comprises silicone grease, field control mastic, installation instructions and crimp chart.



ORDERING INSTRUCTIONS

To order the tee connector, select the ordering part number which gives you the best centring of your core insulation diameter and substitute **X** using table X, according to your conductor size and type. Add a 'K' for use up to 24 kV, add an 'M' for use up to 36 kV, add a 'P' for use up to 42 kV.

EXAMPLE:

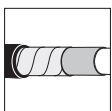
The copper wire screened cable is 36 kV, 240 mm² stranded aluminium with a diameter over core insulation of 37.0 mm. Order a M440TB/G-32-240(K)M-12-2 tee connector kit.

TABLE W

Ordering part number	Dia. over core insulation (mm)	
	min	max
440TB/G-22-X	23.5	31.0
440TB/G-27-X	28.5	37.5
440TB/G-32-X	34.0	42.5
440TB/G-37-X	39.0	48.5
440TB/G-43-X	45.5	56.0

TABLE X

Conductor sizes (mm ²)	Aluminium conductor		Aluminium and copper conductor	Copper conductor
	DIN hexagonal	Deep indent	Bolted	DIN hexagonal
185	185(K)M-12-2	185KM-12-1	185.400-14-5	185(K)M-11-2
240	240(K)M-12-2	240KM-12-1		240(K)M-11-2
300	300(K)M-12-2	300KM-12-1		300(K)M-11-2
400	400(K)M-12-2	400KM-12-1	400.630-14-5	400(K)M-11-2
500	500(K)M-12-2	500KM-12-1		500(K)M-11-2
630	-	630KM-12-1		-



For use with copper tape screened cables. Order: Kit MT.



For use with other cable types. Please contact our representative.



For applications outdoors and in humid climate. Order: +MWS.



For use in potentially explosive atmospheres (for 12 kV max). Order: ATEX-IECEx



Components can be ordered individually.



When installed on an appropriate equipment bushing: 1250 A continuously

APPLICATION

Separable coupling connector (bolted type) for dual cable arrangement. It has been designed to be used with 400TB and 440TB separable tee connector.

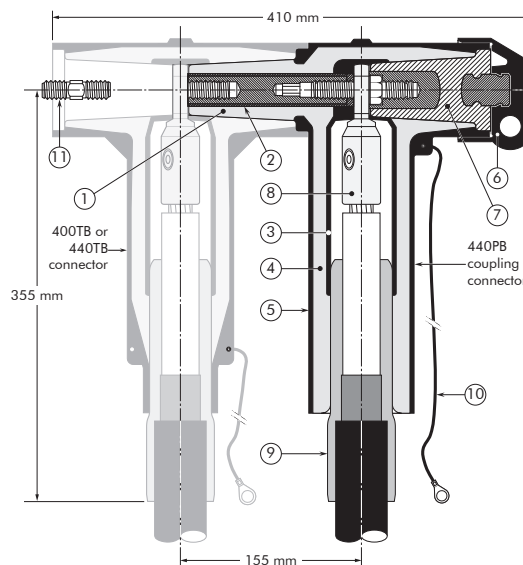
TECHNICAL CHARACTERISTICS

- A thick conductive EPDM jacket provides a total safe to touch screen.
- Each separable connector is tested for AC withstand and partial discharge prior to leaving the factory.



DESIGN

1. Interface designed to fit 400TB/440TB connector.
2. Contact rod for 440PB.
3. Conductive EPDM insert.
4. Insulating EPDM layer moulded between the insert and the jacket.
5. Conductive EPDM jacket.
6. Conductive EPDM cap.
7. Basic insulating plug.
8. Conductor contact.
9. Cable reducer.
10. Earthing lead.
11. Threaded M16 stud for the equipment bushing.



6/10 (12) kV
 6.35/11 (12) kV
 8.7/15 (17.5) kV
 12/20 (24) kV
 12.7/22 (24) kV
 18/30 (36) kV
 19/33 (36) kV
 20.8/36 (42) kV

Up to 42 kV
800 A

EUROMOLD®

The screen break design enables cable outer sheath testing without removing or dismantling the connector.

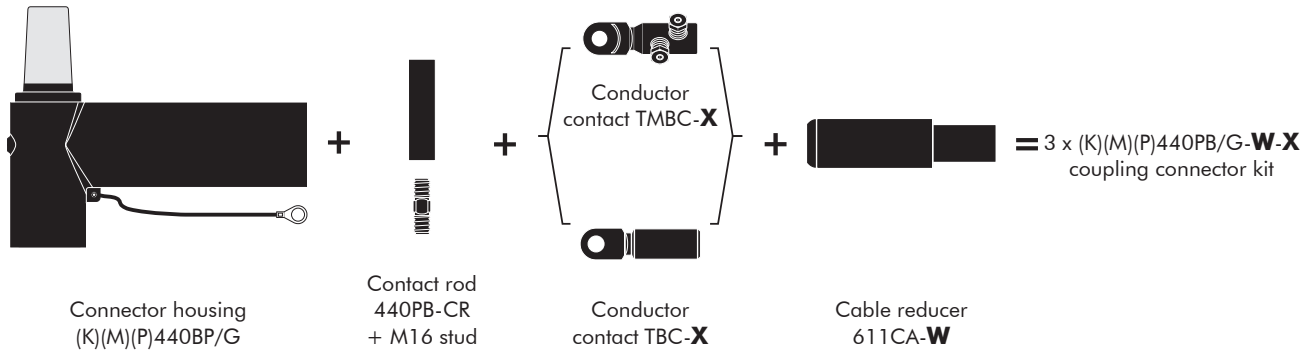
SPECIFICATIONS AND STANDARDS

The 440PB coupling connector meets the requirements of CENELEC HD 629.1.

Separable connector type	Voltage U_m (kV)	Current I_r (A)	Conductor sizes (mm ²)	
			min	max
440PB/G	12	800	185	630
K440PB/G	24	800	185	630
M440PB/G	36	800	185	630
P440PB/G	42	800	185	630

KIT CONTENTS

The complete (K)(M)(P)440PB/G coupling connector kit comprises 3 x the following components:



The kit also comprises silicone grease, field control mastic, installation rod, installation instructions and crimp chart.

ORDERING INSTRUCTIONS

To order the coupling connector, select the ordering part number which gives you the best centring of your core insulation diameter and substitute **X** using table X, according to your conductor size and type.

Add a 'K' for use up to 24 kV, add an 'M' for use up to 36 kV, add a 'P' for use up to 42 kV.

EXAMPLE:

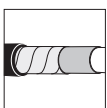
The copper wire screened cable is 36 kV, 240 mm² stranded aluminium with a diameter over core insulation of 37.0 mm. Order 3 x M440PB/G-32-240(K)M-12-2 coupling connector kit.

TABLE W

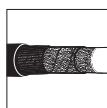
Ordering part number	Dia. over core insulation (mm)	
	min	max
3 x 440PB/G-22- X	23.5	31.0
3 x 440PB/G-27- X	28.5	37.5
3 x 440PB/G-32- X	34.0	42.5
3 x 440PB/G-37- X	39.0	48.5
3 x 440PB/G-43- X	45.5	56.0

TABLE X

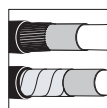
Conductor sizes (mm ²)	Aluminium conductor		Aluminium and copper conductor	Copper conductor
	DIN hexagonal	Deep indent	Bolted	DIN hexagonal
185	185(K)M-12-2	185KM-12-1	185.400-14-5	185(K)M-11-2
240	240(K)M-12-2	240KM-12-1		240(K)M-11-2
300	300(K)M-12-2	300KM-12-1		300(K)M-11-2
400	400(K)M-12-2	400KM-12-1	400.630-14-5	400(K)M-11-2
500	500(K)M-12-2	500KM-12-1		500(K)M-11-2
630	-	630KM-12-1		630(K)M-11-2



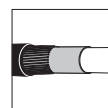
For use with copper tape screened cables. Order: Kit MT.



For use with fabric tape (graphite) screened cables. Order additional semi-conductive tape (type TSC).



For use with easy strip semi-conductive screened cables. Order: Field control mastic (type MFC).



For use with copper wire screened cables. No earthing device is necessary.



For use with other cable types. Please contact our representative.



For outdoor applications. Order: +MWS.

400PB-10SA

INTERFACE C SURGE ARRESTER

APPLICATION

Surge arrester designed to protect medium voltage components, including transformers, equipment, cable and accessories from high voltage surges resulting from lightning or switching.

DESIGN

Surge arrester comprising:

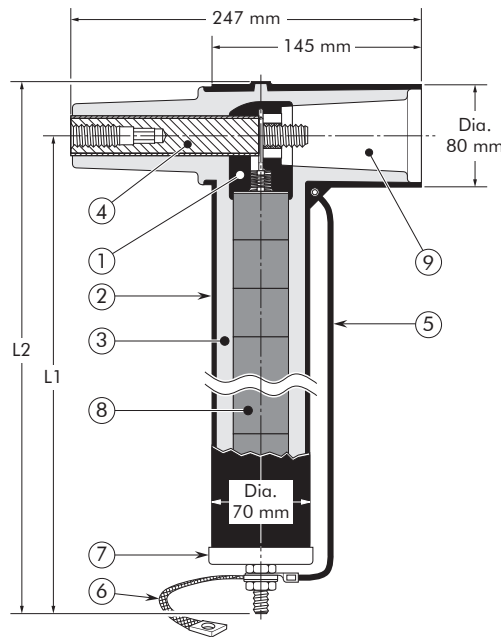
1. Conductive EPDM insert.
2. Conductive EPDM jacket.
3. Insulating EPDM layer moulded between the insert and the jacket.
4. Contact rod.
5. Earthing lead.
6. Earth connection.
7. Steel cap.
8. Metal oxide valve elements.
9. Type C interface as described by CENELEC EN 50180 and 50181.

SPECIFICATIONS AND STANDARDS

The 400PB-10SA surge arresters meet the test requirements of IEC 60099-4.

TECHNICAL CHARACTERISTICS

- This surge arrester is a metal oxide varistor surge arrester in an elbow configuration.
- Each arrester is tested for AC withstand, partial discharge and critical voltage prior to leaving the factory.



- 6/10 (12) kV
- 6.35/11 (12) kV
- 8.7/15 (17.5) kV
- 12/20 (24) kV
- 12.7/22 (24) kV
- 18/30 (36) kV
- 19/33 (36) kV
- 20.8/36 (42) kV

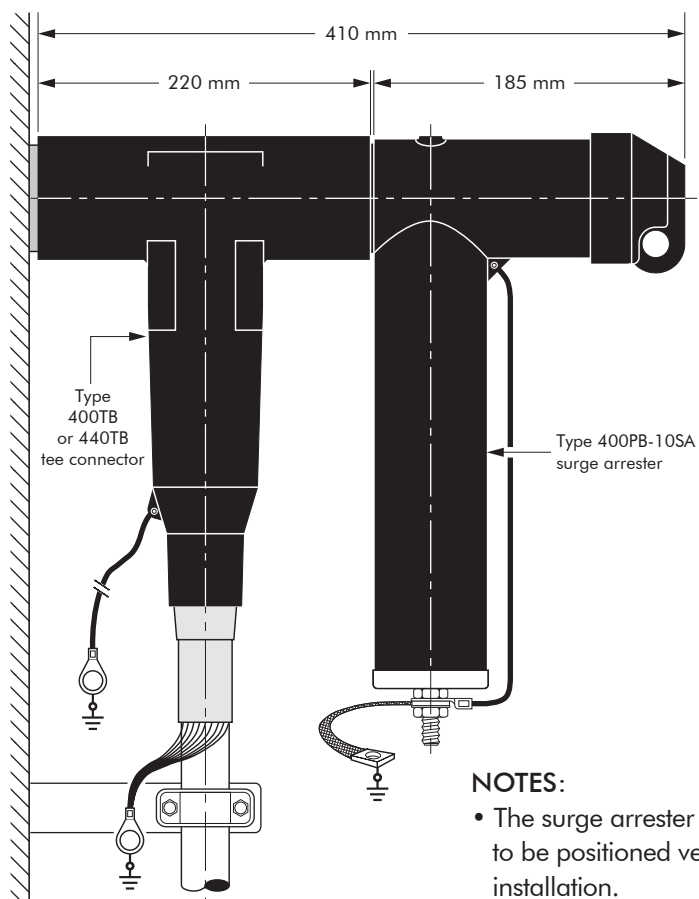
Up to 42 kV

EUROMOLD®

Surge arrester type	Nominal discharge current In (kA)	Rated voltage Ur (kV)	Max. continuous operating voltage Uc (kV)	Dimensions (mm)	
				L1	L2
400PB-10SA-15L	10	15	12.0	270	310
400PB-10SA-18L	10	18	14.4	270	310
400PB-10SA-22L	10	22	17.6	370	410
400PB-10SA-24L	10	24	19.2	370	410
400PB-10SA-30L	10	30	24.0	370	410
400PB-10SA-6N	10	6	4.8	270	310
400PB-10SA-9N	10	9	7.2	270	310
400PB-10SA-12N	10	12	9.6	270	310
400PB-10SA-15N	10	15	12.0	270	310
400PB-10SA-18N	10	18	14.4	270	310
400PB-10SA-22N	10	22	17.6	270	310
400PB-10SA-24N	10	24	19.2	370	410
400PB-10SA-30N	10	30	24.0	370	410
400PB-10SA-33N	10	33	26.4	370	410
400PB-10SA-36N	10	36	28.8	370	410
400PB-10SA-45N	10	45	36.0	470	510
400PB-10SA-51N	10	51	40.8	470	510

08/2021

TYPICAL APPLICATIONS AND DIMENSIONS



NOTES:

- The surge arrester body needs to be positioned vertically after installation.
- Prior to cable testing, the surge arrester shall be removed.

ORDERING INSTRUCTIONS

To order the surge arrester, specify the surge arrester type, as described on previous page.

EXAMPLE:

For a maximum continuous operating voltage (r.m.s.) of 24 kV and a nominal discharge current of 10 kA. Order a 400PB-10SA-30N surge arrester.

TECHNICAL DATA

Surge arrester type	Steep current residual voltage @ 10 kA [1/20 μs] (kV)	Lightning current residual voltage [8/20 μs] (kV)			Switching impulse residual voltage [36/90 μs] (kV)		High current impulse withstand (kA)
		@ 5 kA	@ 10 kA	@ 20 kA	@ 125 A	@ 500 A	
400PB-10SA-15L	47.1	38.9	42.3	47.4	29.8	31.8	100
400PB-10SA-18L	56.5	46.7	50.8	56.9	35.8	38.2	100
400PB-10SA-22L	69.2	57.1	62.2	69.7	43.8	46.7	100
400PB-10SA-24L	75.2	62.1	67.6	75.8	47.7	50.8	100
400PB-10SA-30L	94.0	77.6	84.5	94.7	59.6	63.5	100
400PB-10SA-6N	20.4	16.8	18.3	20.5	12.9	13.7	100
400PB-10SA-9N	28.5	23.5	25.6	28.7	18.0	19.2	100
400PB-10SA-12N	38.0	31.4	34.2	38.3	24.1	25.7	100
400PB-10SA-15N	48.1	39.7	43.2	48.4	30.5	32.5	100
400PB-10SA-18N	58.1	48.0	52.2	58.5	36.8	39.2	100
400PB-10SA-22N	70.1	57.9	63.0	70.6	44.4	47.3	100
400PB-10SA-24N	77.0	63.6	69.2	77.6	48.8	52.0	100
400PB-10SA-30N	97.0	80.1	87.2	97.7	61.5	65.5	100
400PB-10SA-33N	103.4	85.4	93.0	104.2	65.6	69.9	100
400PB-10SA-36N	115.9	95.7	104.2	116.8	73.5	78.3	100
400PB-10SA-45N	144.1	119.0	129.5	145.1	91.3	97.3	100
400PB-10SA-51N	166.0	137.1	149.2	167.2	105.2	112.1	100

APPLICATION

- The test rod can be used for:
 - cable fault location
 - cable testing
 - phasing checks, etc.
- Connections may be made with a cable lug, a 4 mm plug or spring clips.

TECHNICAL CHARACTERISTICS

- The 400TR test rod can be used with 400TE, 400TB and 440TB connectors.



DESIGN

1. Insulating shroud.
2. Threaded rod for test connection.
3. Two nuts M12.
4. Insulation.
5. Copper test rod stem.
6. Wing nut.

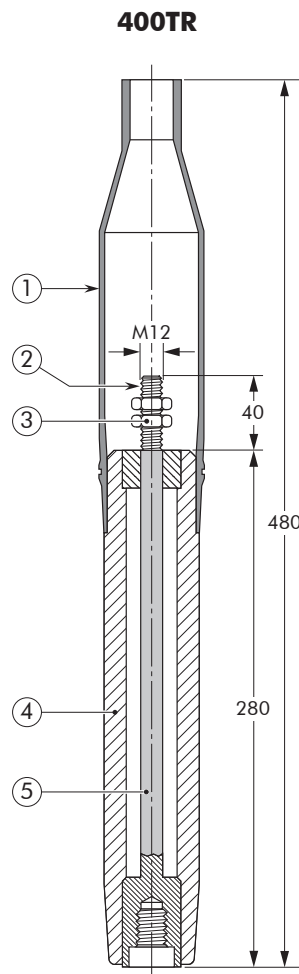
An insulating shroud is provided to allow the application of test voltages when bushings are closely spaced.

INSTALLATION

The test rod is mounted on to the clamping screw in the type C interface tee and coupling connectors. The test cable is connected to the threaded stem and the insulating shroud moved to its final position over the end of the test rod.

ORDERING INSTRUCTIONS

Simply specify:
400TR test rod.



In mm.

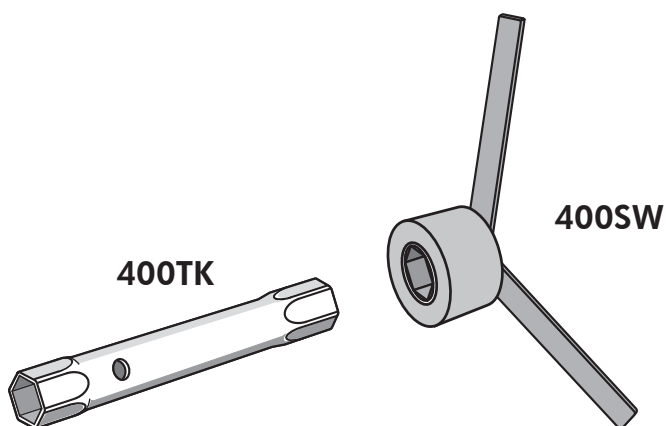
Test rod type	Maximum A.C. test voltage (50 Hz - 1 min)	Maximum D.C. test voltage (8 x U ₀ - 30 min)	Impulse voltage (1.2 x 50 μs) min
400TR	36 kV	96 kV	95 kV

400TK AND 400SW

INSTALLATION TOOL

APPLICATION

- The box spanner and box spanner key are designed to facilitate assembly of 400TE, 400TB and 440TB connectors.
- The 400TK box spanner is used to install the 400TEF clamping pin contact or 400TCS clamping screw.
- The 400SW box spanner key fits on the hex nut of the 400BIPA basic insulating plug.



ORDERING INSTRUCTIONS

Simply specify:

- 400TK box spanner
- 400SW box spanner key.

ACCESSORIES

APPLICATION

For use with connectors and bushings with an interface C as described by CENELEC EN 50180 and 50181.

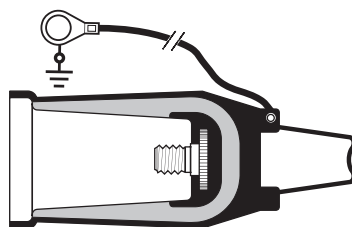
TECHNICAL CHARACTERISTICS

All these products, except the earthing plugs, are tested for AC withstand and partial discharge prior to leaving the factory.

6/10 (12) kV
6.35/11 (12) kV
8.7/15 (17.5) kV
12/20 (24) kV
12.7/22 (24) kV
18/30 (36) kV
19/33 (36) kV
20.8/36 (42) kV

400DR-B/G DEAD-END RECEPTACLE

Fits over a bushing with a type C interface to provide 'dead-end' facility. The dead-end receptacle is supplied with an earth lead.

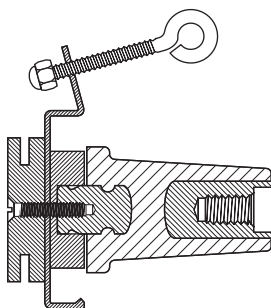


ORDERING INSTRUCTIONS

Order
400DR-B/G for 12 kV,
K400DR-B/G for 24 kV or
M400DR-B/G for 36 kV
applications.

400SOP-B STAND-OFF PLUG

Is designed to support and 'dead-end' connectors with a type C interface when removed from equipment.

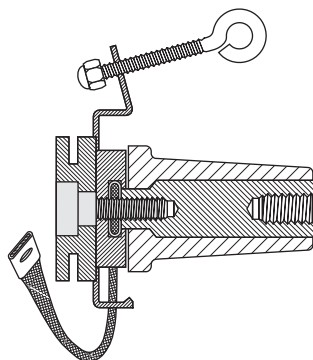


ORDERING INSTRUCTIONS

Order
400SOP-B for 12 kV,
K400SOP-B for 24 kV,
M400SOP-B for 36 kV or
P400SOP-B for 42 kV
applications.

400GP-B EARTHING PLUG

Is designed to support and earth connectors with a type C interface when removed from equipment.



ORDERING INSTRUCTIONS

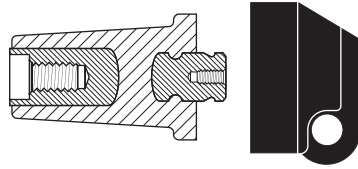
Order
400GP-B for 12, 24, 36 or
42 kV applications.

400BIPA BASIC INSULATING PLUG

Acts as a tightening nut for the 400TB and 440TB tee connector kits.

The plug contains a voltage detection point.

The conductive rubber protection cap is included.

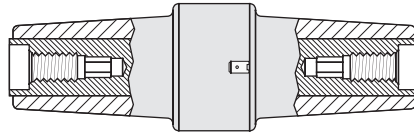


ORDERING INSTRUCTIONS

Order
400BIPA for 12 kV,
K400BIPA for 24 kV
M400BIPA for 36 kV or
P400BIPA for 42 kV
applications.

400CP CONNECTING PLUG

For connecting two or more connectors with a type C interface together, thus creating a separable cable joint or a multiple cable connection to equipment.



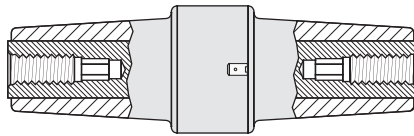
ORDERING INSTRUCTIONS

Order
400CP for 12 kV,
K400CP for 24 kV or
M400CP for 36 kV
applications.

For use up to 630 A.

440CP CONNECTING PLUG

For connecting two or more connectors with a type C interface together, thus creating a separable cable joint or a multiple cable connection to equipment.



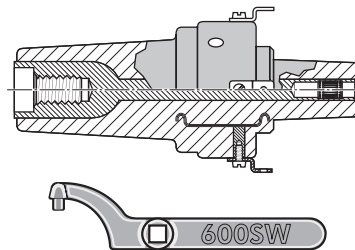
ORDERING INSTRUCTIONS

Order
440CP for 12 kV,
K440CP for 24 kV or
M440CP for 36 kV
applications.

For use up to 1250 A.

400RTPA REDUCING TAP PLUG

Provides a type A interface to connectors with a type C interface. A 'C' spanner, 600SW, is used to tighten the reducing tap plug on to its mating part.



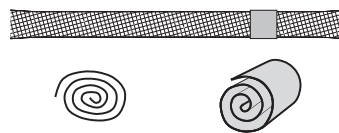
ORDERING INSTRUCTIONS

Order
400RTPA for 12 kV or
K400RTPA for 24 kV
applications.

Order 600SW for the 'C'
spanner.

KIT MT EARTHING KIT FOR COPPER TAPE SCREENED CABLES

Contains a tinned copper braid (25 mm² - L = 500 mm), a tinned copper wire for cleating and some water sealing mastic.



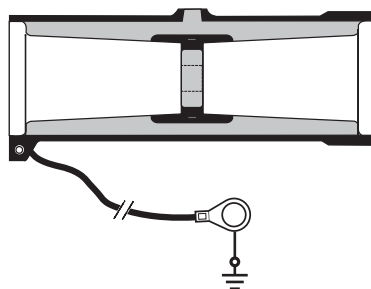
ORDERING INSTRUCTIONS

Order
Kit MT for 12 kV, 24 kV
36 kV or 42 kV applications.

400BE/G BUSHING EXTENDER

Provides an extension piece to allow cables to stand away from equipment.

Is used in conjunction with the 400CP, 440CP or 440PB. The bushing extender is supplied with an earth lead.



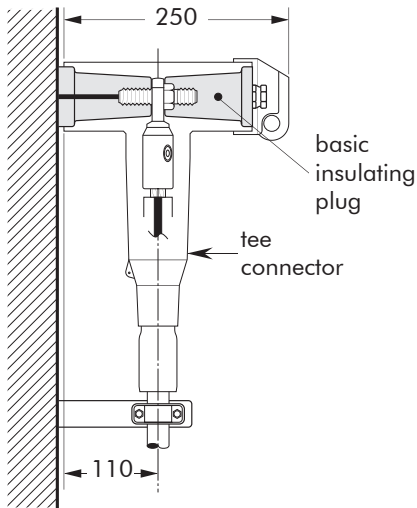
ORDERING INSTRUCTIONS

Order 400BE/G for 12 kV,
K400BE/G for 24 kV,
M400BE/G for 36 kV or
P400BE/G for 42 kV
applications.

POSSIBLE ARRANGEMENTS

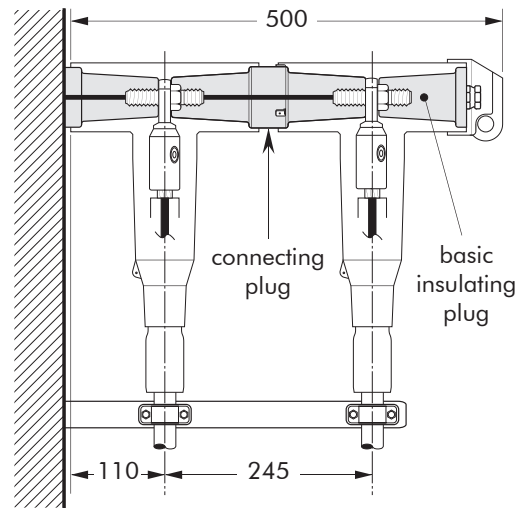
400TB/G

Single cable arrangement.
Order 400TB/G for 12 kV,
K400TB/G for 24 kV,
M400TB/G for 36 kV or P400TB/G
for 42 kV applications.



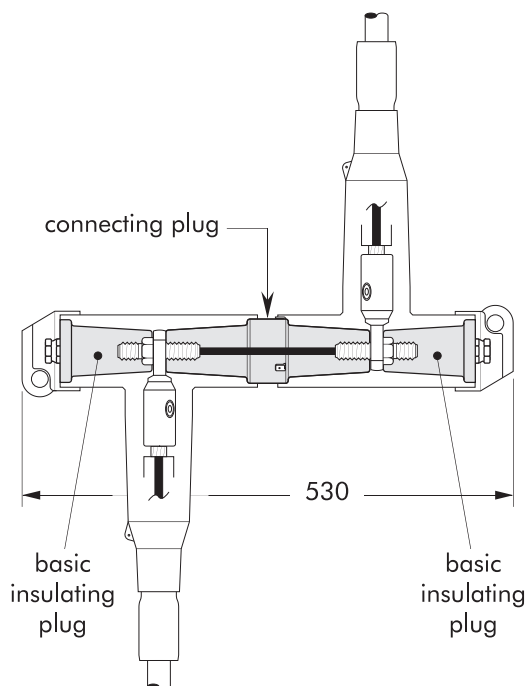
400TB/G-P2

Dual cable arrangement.
Order 400TB/G-P2 for 12 kV,
K400TB/G-P2 for 24 kV or
M400TB/G-P2 for 36 kV
applications.



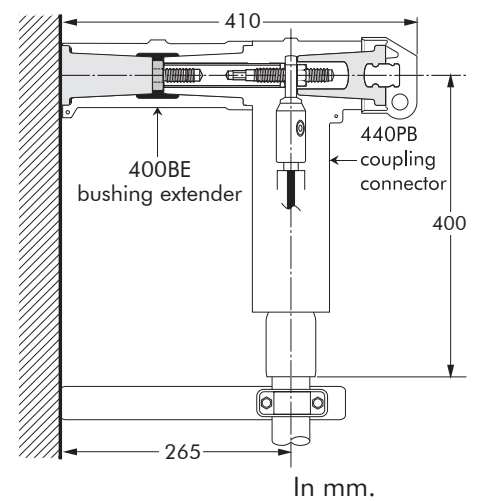
400TB/G-L2

2-way connection.
Order 400TB/G-L2 for 12 kV,
K400TB/G-L2 for 24 kV or
M400TB/G-L2 for 36 kV
applications.



400BE+440PB

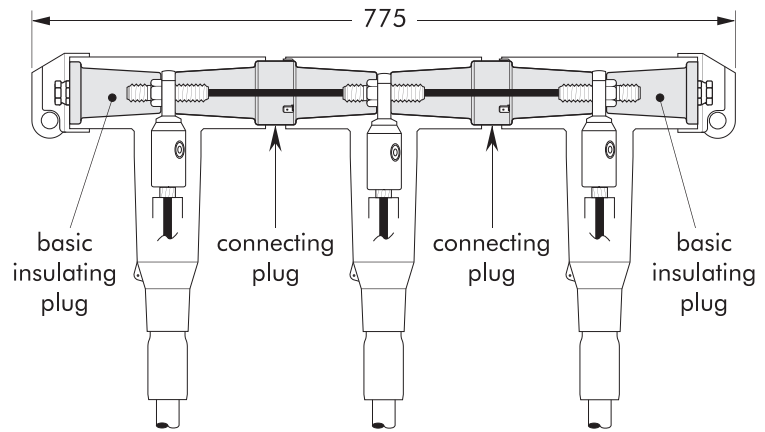
Connector standing away from
equipment.
Order 400BE+440PB for 12 kV,
K400BE+440PB for 24 kV,
M400BE+440PB for 36 kV or
P400BE+440PB for 42 kV
applications.



08/2021

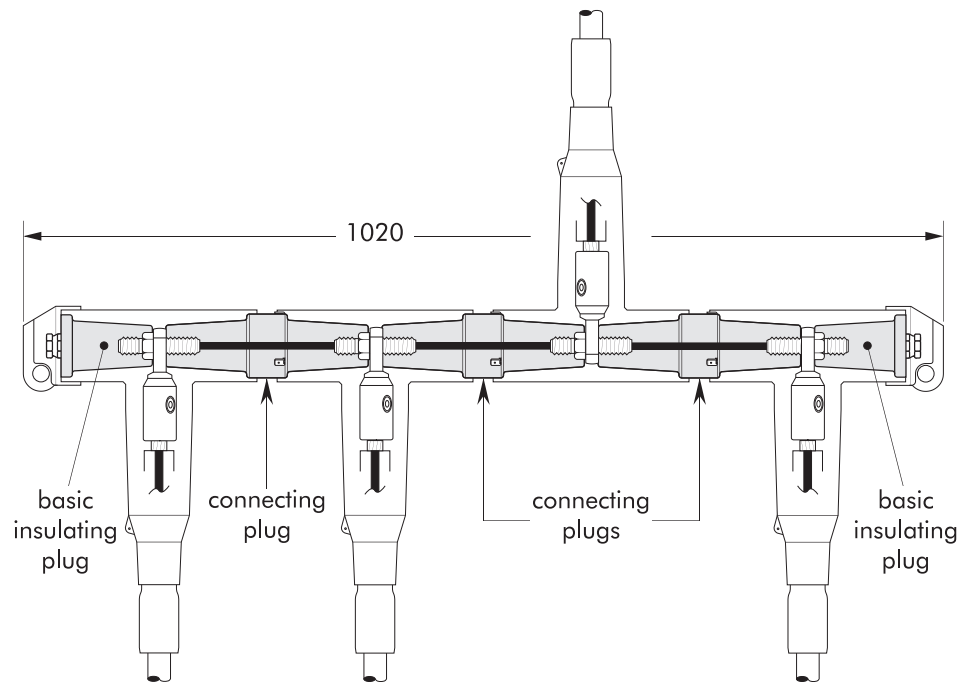
400TB/G-L3

3-way connection.
Order 400TB/G-L3 for 12 kV,
K400TB/G-L3 for 24 kV or
M400TB/G-L3 for 36 kV
applications.



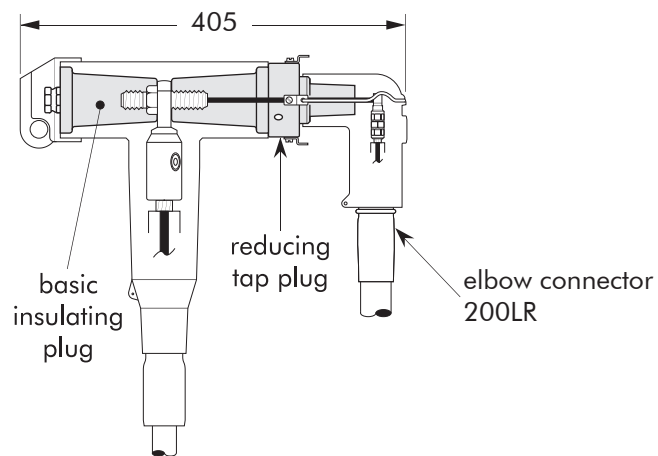
400TB/G-L4

4-Way connection.
Order 400TB/G-L4 for 12 kV,
K400TB/G-L4 for 24 kV or
M400TB/G-L4 for 36 kV
applications.



400TB/G+200LR

2-way connection with tap-off.
Order 400TB/G+200LR+
400RTPA for 12 kV or K400TB/G
+200LR+K400RTPA for 24 kV
applications.

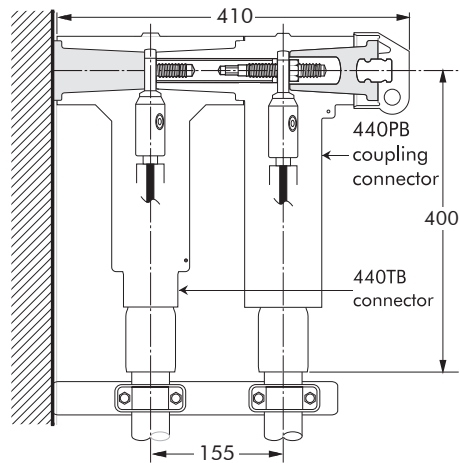


In mm.

440TB+440PB-P2

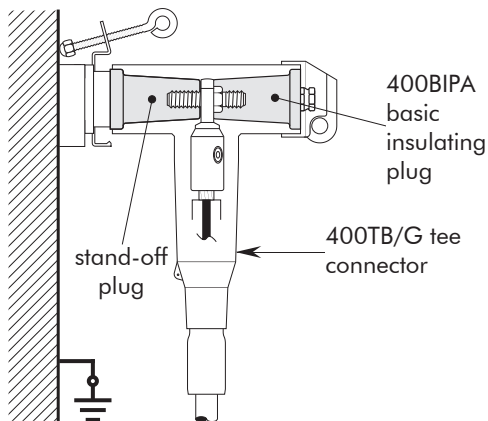
Dual cable arrangement.

Order 440TB/G+440PB/G-P2 for 12 kV, K440TB/G+K440PB/G-P2 for 24 kV, M440TB/G+M440PB/G-P2 for 36 kV, P440TB/G+P440PB/G-P2 for 42 kV.



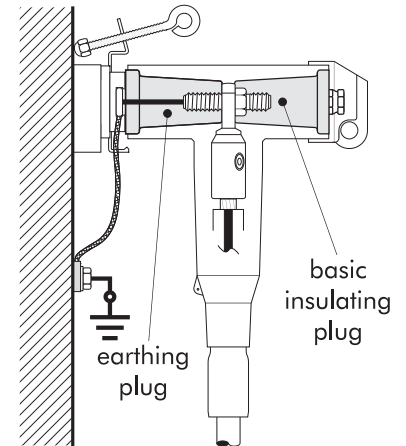
CONNECTOR ON STAND-OFF PLUG

Order 400SOP-B for 12 kV, K400SOP-B for 24 kV, M400SOP-B for 36 kV or P400SOP-B for 42 kV applications.

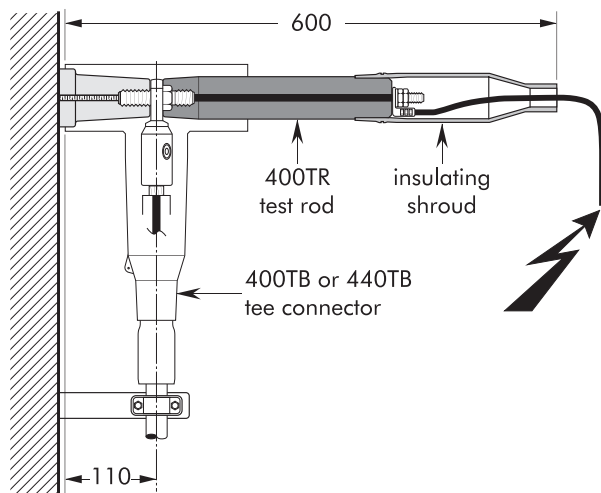


CONNECTOR ON EARTHING PLUG

Order 400GP-B for 12 kV, 24 kV, 36 kV and 42 kV applications.



CABLE AND EQUIPMENT TESTING





Nexans Network Solutions N.V. - Div. Euromold
Zuid III, Industrielaan 12, B-9320 Erembodegem
Tel.: +32(0)53 85 02 11 • sales.euromold@nexans.com • www.euromold.be

Catalogue also available on Website and Mobile Apps



Find out more about Nexans Power Accessories.